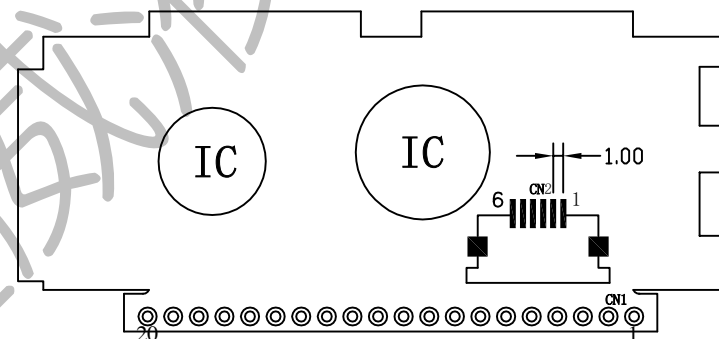


Display Format
16X2 DOTS
Driving Method
1/16 Duty
1/5 Bias

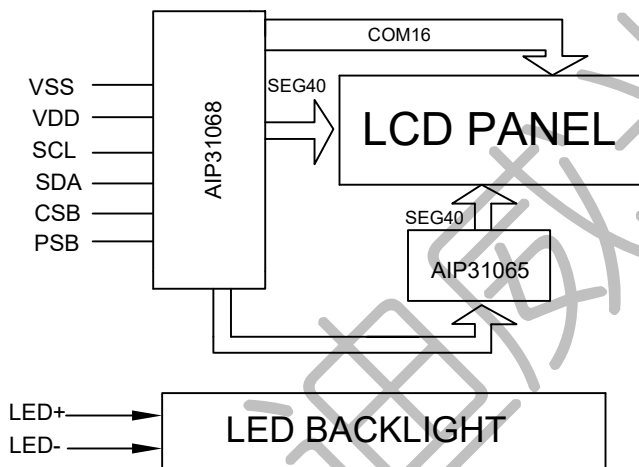


CN1:

1	2	3	4	5	6	7	8	9	10	11	12	13	14	15	16	17	18	19	20
VSS	VDD	NC	SCL	SDA	CSB	NC	NC	NC	NC	NC	NC	NC	NC	PSB	NC	BLK	BLA	NC	NC

CN2:

1	2	3	4	5	6
VSS	VDD	SCL	SDA	BLK	BLA



深圳市迪威液晶显示技术有限公司
 深圳市迪威光电有限公司
 TLE:0755-27578730 27578186
<http://www.lcmlcd.net>

Unspecified Tolerance:	±0.20	UNITS: mm	DATE:	MODE NUMBER :		SHEET:	1 Of 1
DESIGN BY:			2013/2/21	DV1602G		DATE:	2013/2/21
CHECKED BY:				DO NOT SCALE THIS DRAWING.	PROJECTION		
CUSTOM NO:							