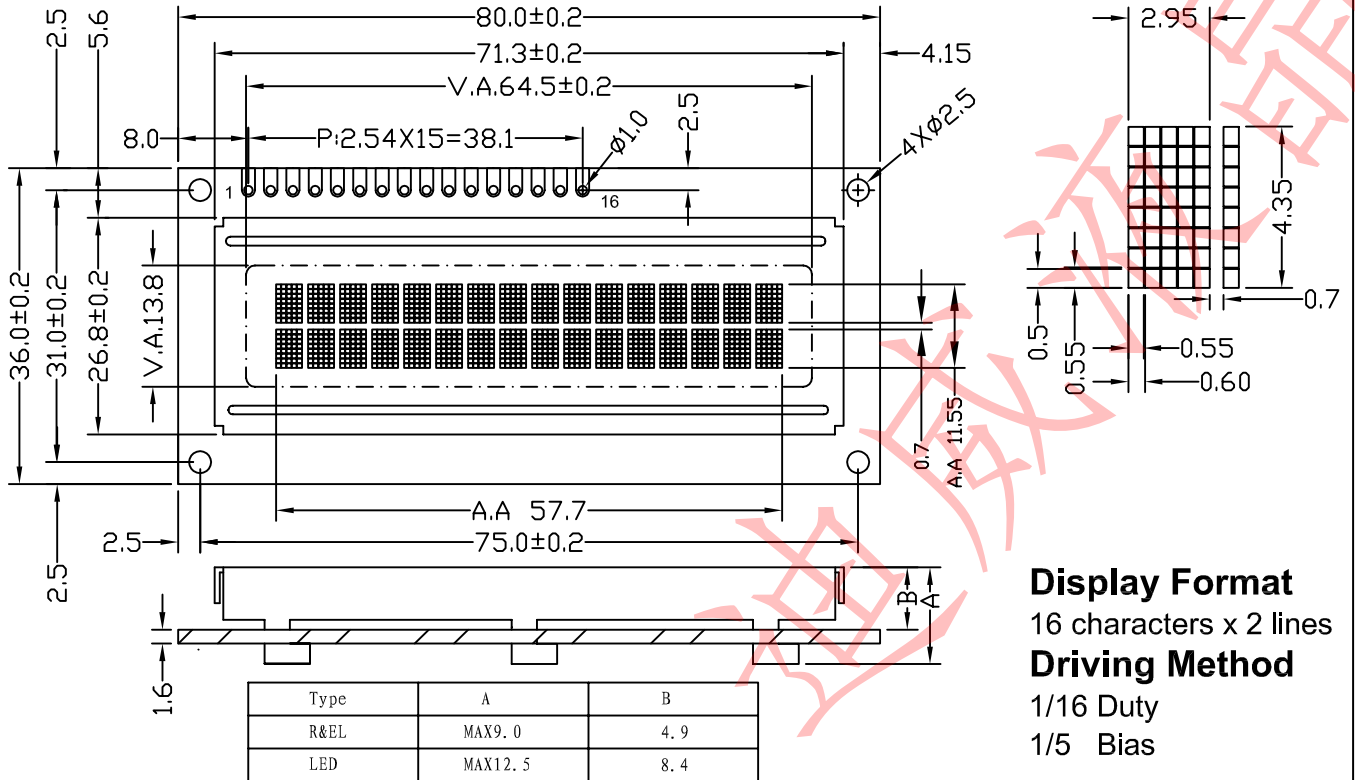


① PHYSICAL DIMENSION



Display Format
16 characters x 2 lines
Driving Method
1/16 Duty
1/5 Bias

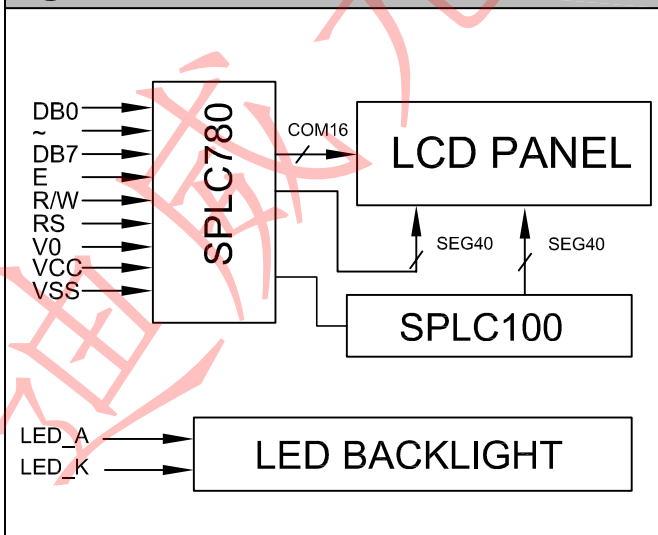
② MECHANICAL DATA

ITEM	SPECIFICATION	UNIT
Module Size With B/L (W X H X T)	80X36X12.5 and 80X36X9	mm
Viewing Area (W X H)	64.5 X 13.8 / 16	mm
Number of Characters (W X H)	16 X 2	Characters
Dot Pitch (W X H)	0.6 X 0.55	mm
Dot Size (W X H)	0.55 X 0.50	mm
Weight	50.0 (With B/L)	g

③ PIN CONFIGURATION

ITEM	SYMBOL	DESCRIPTION	
1	VSS	Power ground	
2	VCC	Power positive (+5V±10%).	
3	V0	Negative voltage Supply for LCD	
4	RS	H:Data L:Instruction Code	
5	R/W	H:Read L:Write	
6	E	Enable trigger	
7	DB0	Data bus [0~7]. These state I/O common terminal.	
14	DB7		
15	LED_A		Backlight Anode(+5V).
16	LED_K		Backlight Cathode (0V).

④ BLOCK DIAGRAM



⑤ ABSOLUTE MAXIMUM RATINGS (25°C)

PARAMETER	SYMBOL	MIN.	MAX.	UNIT
SUPPLY VOLTAGE LOGIC	VDD	0	5.5	V
SUPPLY VOLTAGE DRIVER	VDD-V0	0	7	V
INPUT VOLTAGE	VIN	0	VDD	V