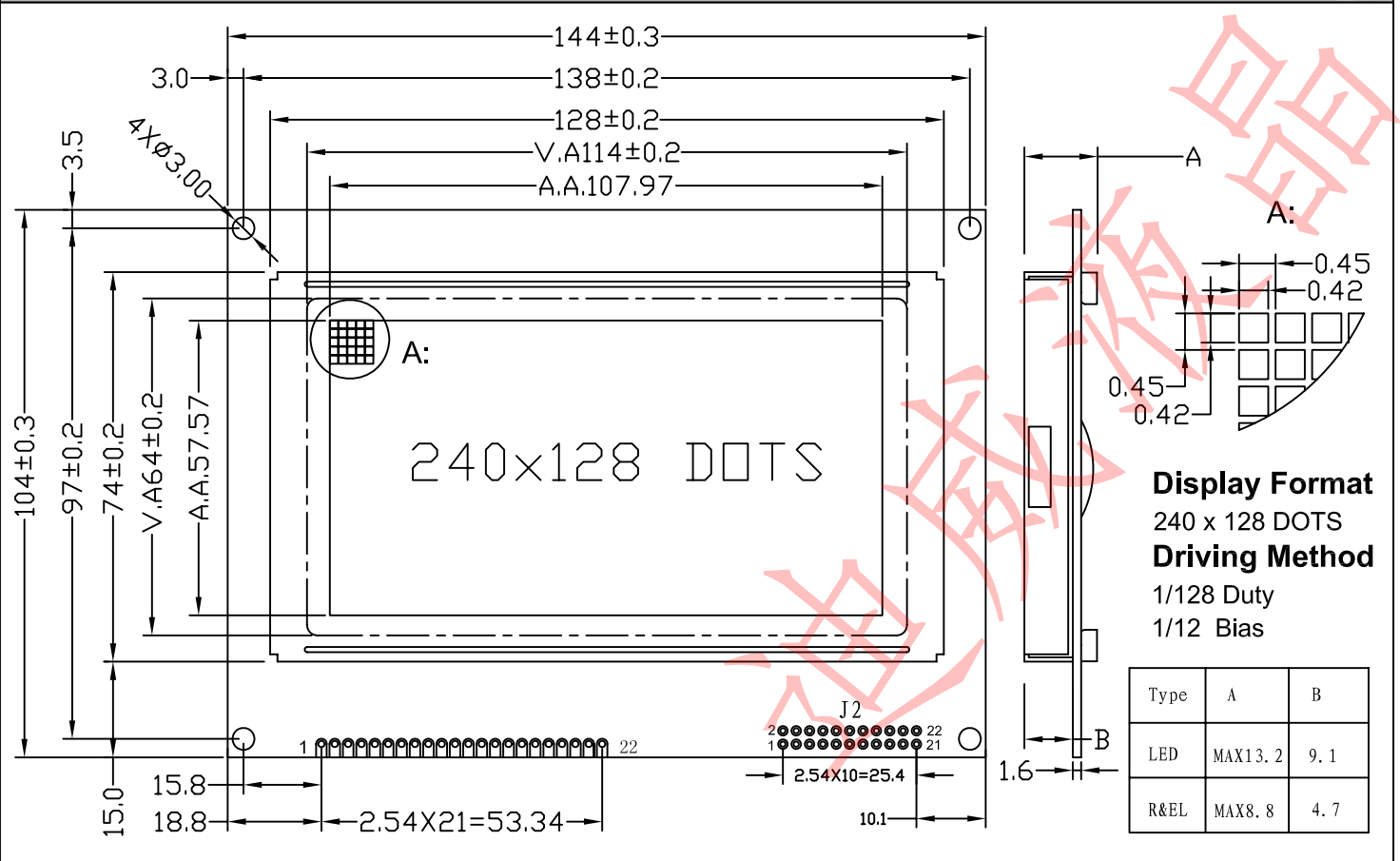


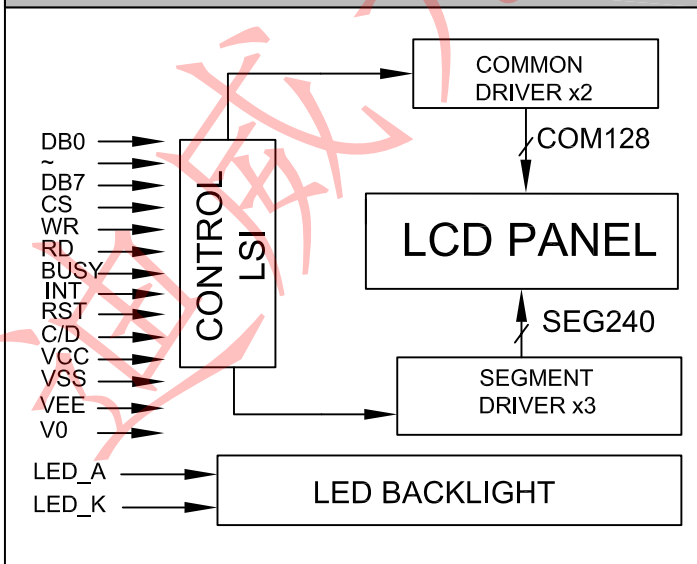
① PHYSICAL DIMENSION



② MECHANICAL DATA

ITEM	SPECIFICATION	UNIT
Module Size With B/L (W X H X T)	144X104X13.2/8.8	mm
Viewing Area (W X H)	114X64	mm
Number of Dots (W X H)	240X 128	dots
Dot Pitch (W X H)	0.45X 0.45	mm
Dot Size (W X H)	0.42 X 0.42	mm
Weight	100 (With B/L)	g

④ BLOCK DIAGRAM



③ PIN CONFIGURATION

J1/J2	SYMBOL	DESCRIPTION	
1	FG	Frame Ground	
2	VSS	Power ground	
3	VCC	Power positive (+5V+10%).	
4	V0	Negative voltage Supply for LCD	
5	WR	Write signal	
6	RD	Read signal	
7	CS	Serial Chip Select	
8	C/D	H:Data L:Instruction Code	
9	RST	System reset low active.	
10	DB0	Data bus [0~7]. There state I/O common terminal.	
17	DB7		
18	NC		No Connect
19	VEE		Negative voltage Supply
20	LED_A		Backlight Anode(+5v)
21	LED_K		BacklightCathode(ov)
22	INT		INT Signal

⑤ ABSOLUTE MAXIMUM RATINGS (25°C)

PARAMETER	SYMBOL	MIN.	MAX.	UNIT
SUPPLY VOLTAGE LOGIC	VDD	0	5.5	V
SUPPLY VOLTAGE DRIVER	VDD-VEE	0	20	V
INPUT VOLTAGE	VIN	0	VDD	V