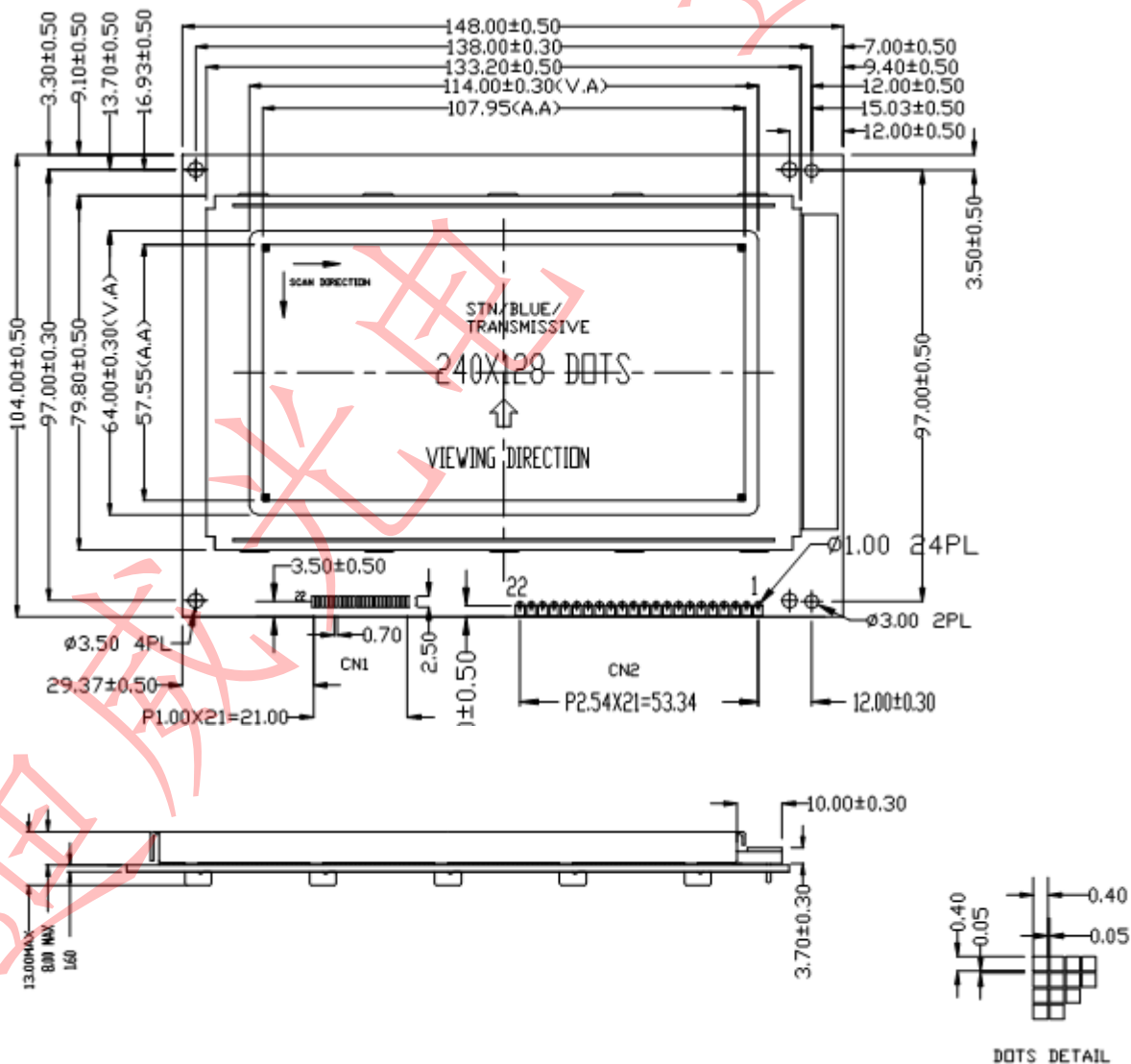


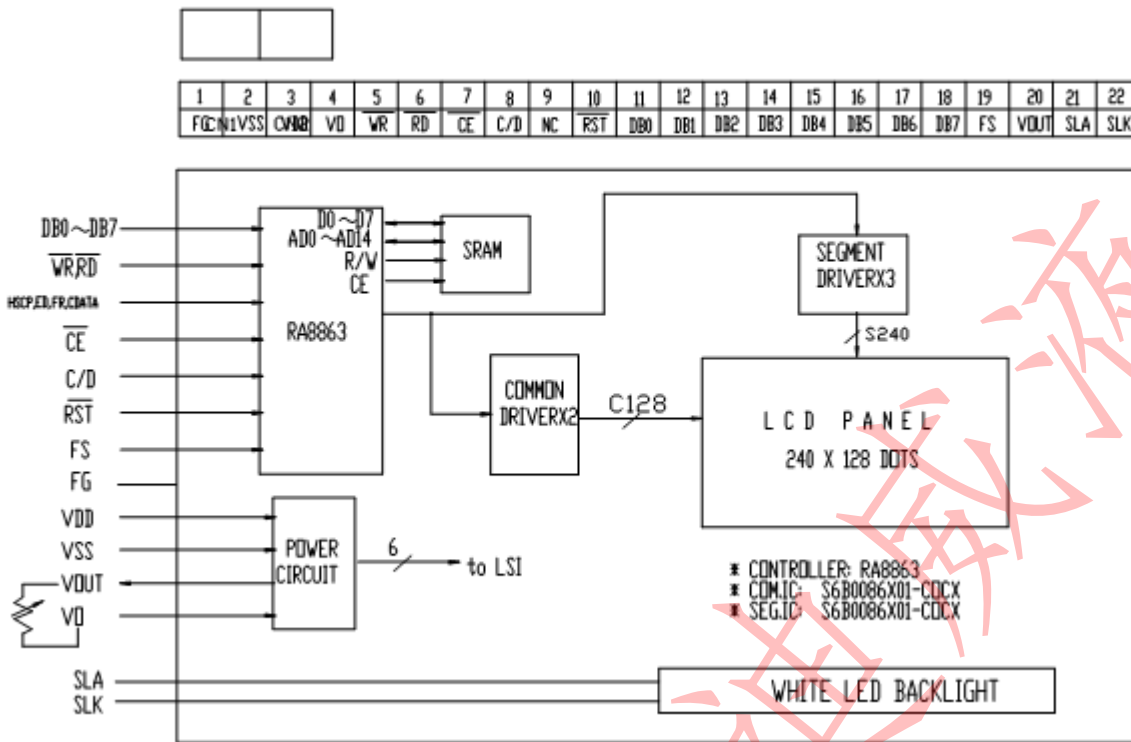
■ GENERAL INFORMATION

Item	Contents	Unit
LCD type	STN	/
Viewing direction	6:00	O' Clock
Glass area (W × H)	148 × 104	mm <sup>2</sup>
Viewing area (W×H)	114 × 64	mm <sup>2</sup>
Active area (W×H)	107.95 × 57.55	mm <sup>2</sup>
Number of Dots	240 × 128	/
Dot size (W × H)	0.4 × 0.4	mm <sup>2</sup>
Dot pitch (W × H)	0.45 × 0.45	mm <sup>2</sup>
Driver IC	S6B0086X01-C0CX	/
Backlight Type	LED	/
Interface Type	Parallel	
Input voltage	VDD=5.0	V

■ EXTERNAL DIMENSIONS



BLOCK DIAGRAM



■ INTERFACE DESCRIPTION

Pin No.	Symbol	Level	Description
1	FG	---	Frame ground
2	VSS	0V	Ground
3	VDD	5.0V	Supply voltage for logic
4	V0	---	Input voltage for LCD
5	/WR	L	Write mode
6	/RD	L	Read mode,
7	/CE	H, H → L	Chip enable signal
8	C/D	H/L	Data or Instruction RS=H · DB<0:7> : Display RAM Data RS=L · DB<0:7> : Instruction Data
9	NC	---	No connector
10	/RST	L	Reset signal
11	DB0	H/L	Data bit 0
12	DB1	H/L	Data bit 1
13	DB2	H/L	Data bit 2
14	DB3	H/L	Data bit 3
15	DB4	H/L	Data bit 4
16	DB5	H/L	Data bit 5
17	DB6	H/L	Data bit 6
18	DB7	H/L	Data bit 7
19	FS	---	Font signal
20	VOUT	-15V	Output voltage for LCD
21	SLA	5.0V	Backlight Anode
22	SLK	0V	Backlight Cathode