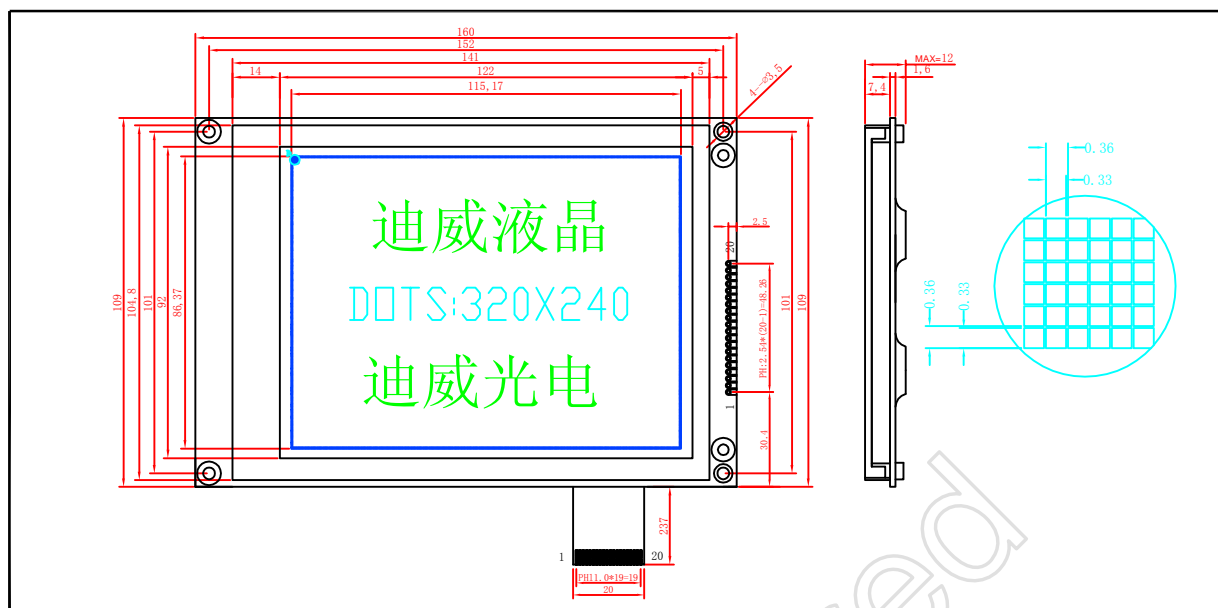
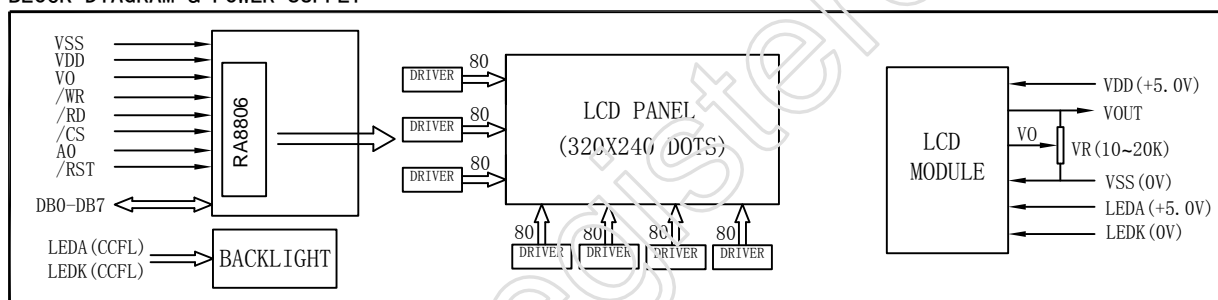


OUTLINE DIMENSIONS



BLOCK DIAGRAM & POWER SUPPLY



MECHANICAL SPECIFICATIONS & FEATURE

LTEM		NORMAL DIMENSIONS (MM)	FEATURE	
MODULE SIZE (W*H*T)		160.0 X 133.0 X 12.5	LCD TYPE	STN FSTN
VIEW AREA (W*H)		122.0 X 92.0	LCD COLOUR	STN: BLUE, GRAY FSTN: GRAY
DOTSXDOTS (W*H)		320 X 240	VIEW ANGLE	6 O'CLOCK, 12 O'CLOCK
DOT PITCH (W*H)		0.36 X 0.36	DISPLAY TYPE	POSITIVE TYPE, NEGATIVE TYPE
DOT SIZE (W*H)		0.33 X 0.33	REAR POLARIZER	TRANSMISSIVE, REFLECTIVE, TRANSPARENT
---		---	OPERATING TEMPERATURE	-10°C ~ 60°C -20°C ~ 70°C
---		---	BACKLIGHT	LED: WHITE EL: GREEN, BLUE-GREEN, BLUE WITHOUT

ELECTRICAL CHARACTERISTICS

LTEM	SYMBOL	TEST CONDITION	MIN	TYP	MAX	UNIT
OPERATING VOLTAGE	VDD	Ta=25 °C	---	5.0	---	V
OPERATING VOLTAGE FOR LCD	VLCD	Ta=25 °C	---	23.0	---	V
SUPPLY CURRENT	IDD	Ta=25 °C, VDD=5.0V	---	35.0	40.0	MA
SUPPLY CURRENT FOR BACKLIGHT	IF	Ta=25 °C, VF=4.2V	---	120	---	MA

INTERFACE PIN CONNECTIONS

NO.	SYMBOL	LEVEL	DESCRIPTION
1	GND	0V	电源地
2	VCC	+3.3 or 5V	电源
3	VO	-18.5V	驱动电压 (外接可调电阻, 调节对比度)
4	WR	H/L	写信号 低有效
5	RD	H/L	读信号 低有效
6	CS	H/L	片选信号 低有效
7	RS(AO)	H/L	指令数据选择 H: 指令 L: 数据
8	/RST	H/L	复位信号 低有效, 复位完成后拉高
9	DB0	H/L	八位三态并行总线
10	DB1	H/L	
11	DB2	H/L	
12	DB3	H/L	
13	DB4	H/L	
14	DB5	H/L	
15	DB6	H/L	
16	DB7	H/L	
17	VOUT(VEE)	-23V	LCD驱动负压电源输出
18	BLA	+3.3 or 5V	背光驱动电压
19	INT	H/L	中断信号
20	BUSY	H/L	忙碌信号